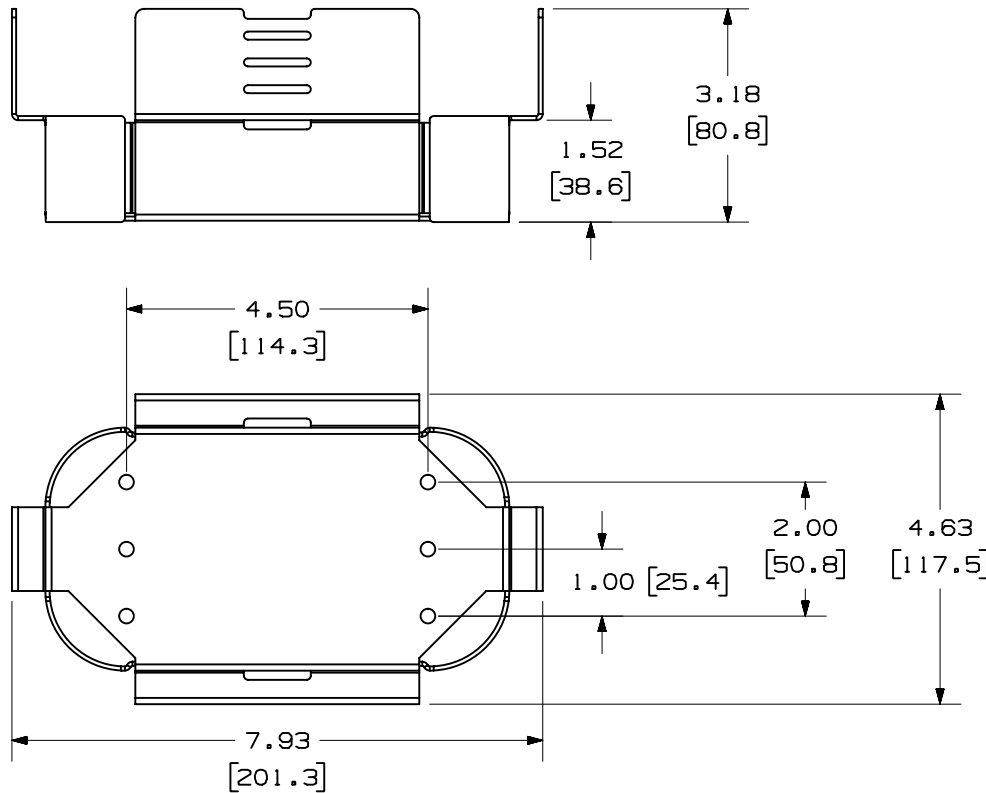


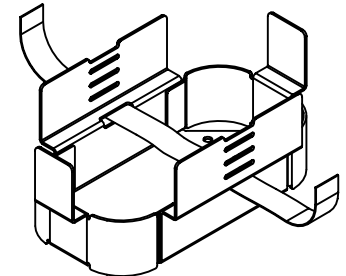
THIS COPY IS PROVIDED ON A RESTRICTED BASIS AND IS NOT TO BE USED IN ANY WAY DETRIMENTAL TO THE INTERESTS OF PANDUIT CORP.

PANDUIT P/N	WEIGHT
FST6H4	0.80 LB/PC 363 g/PC



NOTES:

1. SEE CATALOG FOR COMPLETE LIST OF PARTS APPLICABLE FOR USE WITH THIS PART.
2. DIMENSIONS IN PARENTHESES ARE IN METRIC.
3. SPLICE TRAY HOLDER WILL ACCOMMODATE UP TO (4) FOUR FST6 SPLICE TRAYS WITH ACCOMODATIONS FOR FIBER SPOOLING.
4. SPLICE TRAY HOLDER IS SUPPLIED WITH 1 TY-TAK
5. MATERIAL: ALUMINUM
FINISH: POWDER COATED BLACK



CAD FILENAME/LAYERS M00466DE_DC_00A.PRT

PANDUIT CORP. TINLEY PARK, ILLINOIS

SPLICE TRAY HOLDER / SLACK MANAGER
(FST6H4)
CUSTOMER DRAWING

UNLESS OTHERWISE SPECIFIED,
DIMENSIONAL TOLERANCES ARE:
(.X) ± (.XXX) ±
(.XX) ± .03 (.8) ANGLES ±

UNLESS OTHERWISE SPECIFIED,
ALL DIMENSIONS ARE GIVEN
IN INCHES, THIRD ANGLE PROJECTION.

DRAWN BY
JDWE

MAT'L:

SCALE
NONE

DATE
4-24-02

DRAWING NO.
00466-65

DWG
A
SIZE

REV	DATE	BY	CHK	DESCRIPTION	ECN	CHK	CUST	SUP
R	4-24-02	JDWE		RELEASED TO PRODUCTION.	00466-65			